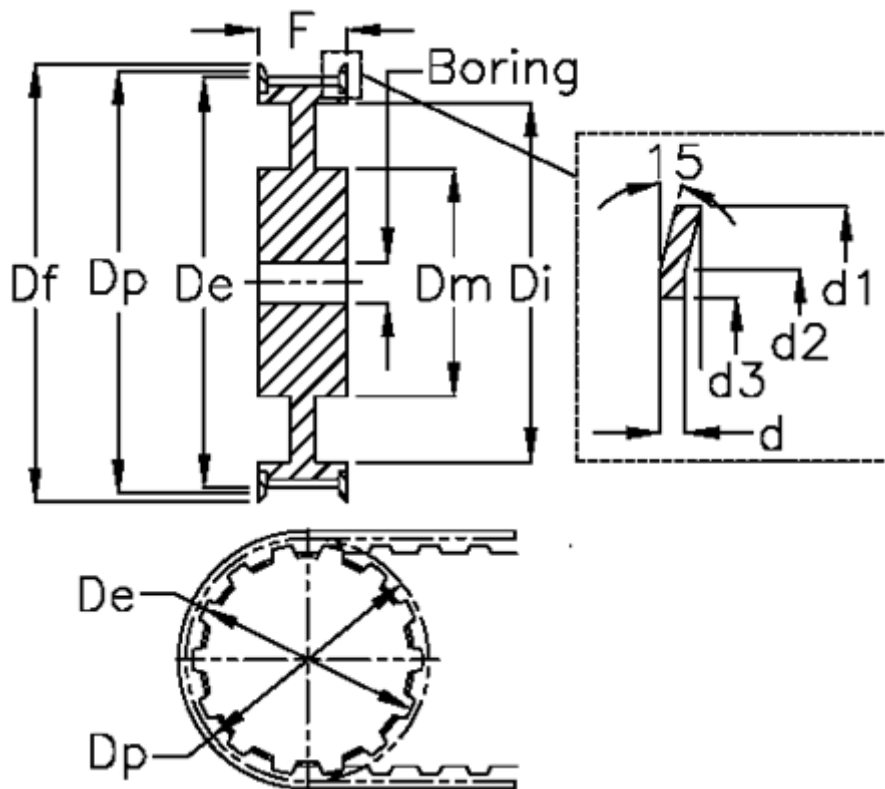


Article number: 604145064170

Description: Timing belt pulley with hub  
HTD 64 14M 170

## Measures



Bore = 32	Dm = 150	Width = 170
d = 2.5	Dp = 285.21	
d1 = 296	F = 240	
d2 = 287	Flange type = F70	
d3 = 260	L = 133	
De = 282.41	Tooth number = 64	
Df = 296	Type = 14M	
Di = 133	Weight = 30.1	